



ELECTRIC FIRE PUMP SPECIFICATION

MODEL : EFP-50.8.DEF

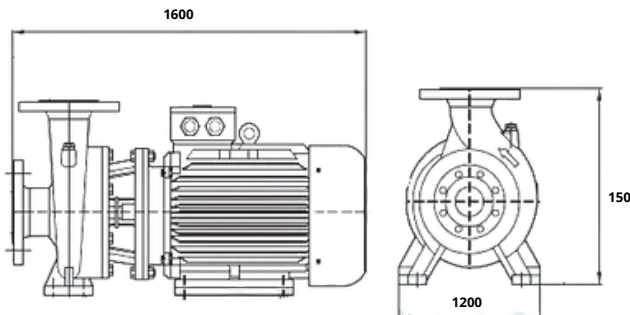
CAPACITY : 500 GPM

HEAD : 80 M



ELECTRIC MOTOR SPECIFICATION	
Model	DEF225M-2
Brand	Defender
Capacity (Gpm - M)	500 - 80
Phase - Frequency	3 phase - 50 hz
Speed	3000
Voltage	380
Power	45 kw - 60 Hp
Weight (kg)	300

PUMP SPECIFICATION	
Model	100 x 80 FSJA
Brand	Ebara
Inlet & Outlet (Inch)	4 x 3
Power Pump (Kw)	45
Speed (Rpm)	3000
Chasing	Cast Iron
Shaft	403 Stainless Steel
Seal	Ceramic/Carbon/NBR
Impeller	Bronze Casting (CAC406/BC60)
Weight (Kg)	250



DIMENSION AND WEIGHT

length (mm) : 1600
Width (mm) : 1200
Height (mm) : 150
Net weighg (Kg) : +/- 550